

REDLINE Asphalt Tandem Roller



DRA90

Technical Data

Masses

Operating mass (incl. Canopy)	9200 kg
Maximum operating mass	9600 kg
Module mass (front / rear)	4600 kg/4600 kg

Dimensions

Drum width	1690 mm
Drum diameter	1220 mm

Compaction

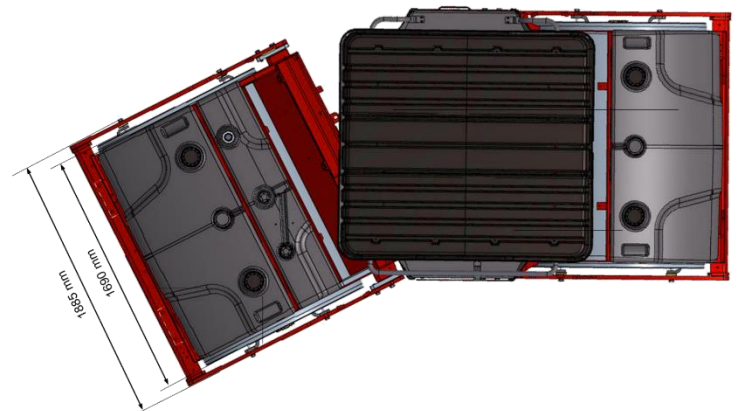
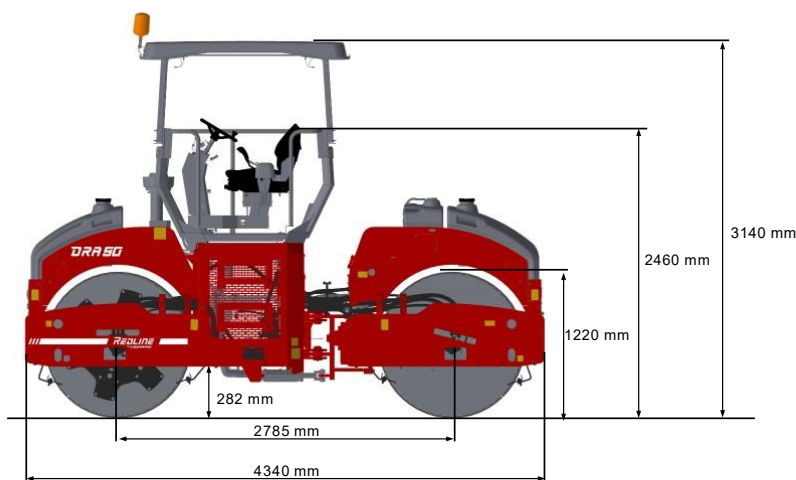
Static linear load	27.2 kg/cm
Nominal amplitude (high/low)	0.9 mm/0.4 mm
Vibration frequency (high/low amplitude)	54 Hz/36 Hz

Engine

Manufacturer/Model	Dynapac
Type	4 cyl, water cooled and turbocharged engine
Rated power	76 hp @ 2200 rpm
Electrical system	12 V
Fuel tank capacity	180 l

Traction

Speed range	0 - 12 km/h
Vertical oscillation	+/- 7°
Theoretical max. gradeability	39 %
Steering angle	+/- 28°
Turning radius	



We reserve right to change specifications without notice. Photos and illustrations do not always show standard versions of machines.

The above information is a general description only, all information are supplied without liability.