

# REDLINE ASPHALT ROLLER

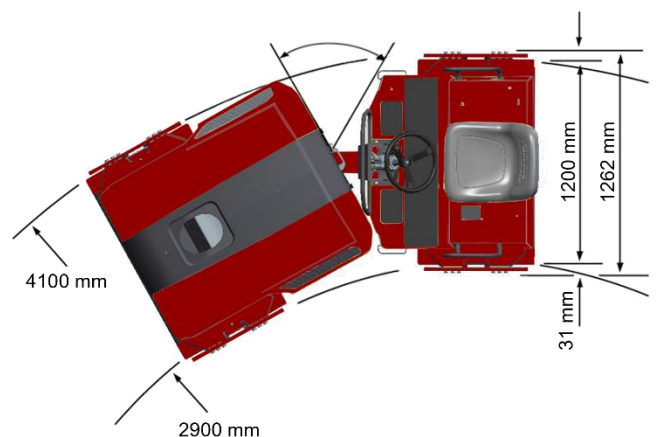
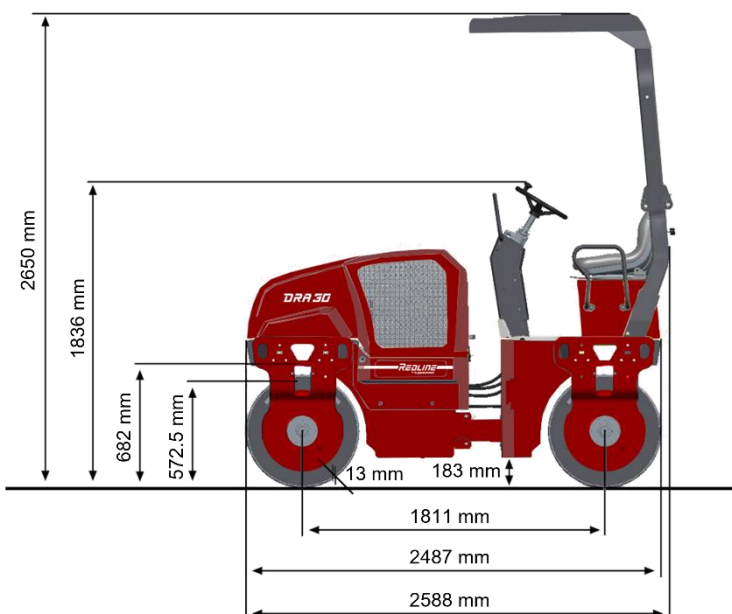


## DRA30

### Technical Data

Masses	
Max. operating mass	3200 kg
Operating mass (incl. ROPS)	3100 kg
Maximum operating mass (front/rear)	1500 kg/1600 kg
Dimensions	
Drum width	1200 mm
Height	1836 mm
Height with optional canopy /ROPS	2650 mm
Compaction	
Static linear load (front/rear)	12.5 / 13.3 kg/cm
Nominal amplitude	0.5 mm
Vibration frequency	58 Hz
Water tank volume	160 l

Engine	
Manufacturer/Model	Dynapac
Type	3 cyl, water cooled
Rated power	39 hp @ 2600 rpm
Electrical system	12 V
Fuel tank capacity	50 l
Traction	
Speed range	0 - 12 km/h
Theoretical max. gradeability	38 %
Vertical oscillation	+/- 10°
Steering angle	+/- 29°
Turning radius (inner/outer)	2900 / 4100 mm



We reserve right to change specifications without notice. Photos and illustrations do not always show standard versions of machines.

The above information is a general description only, all information are supplied without liability.

